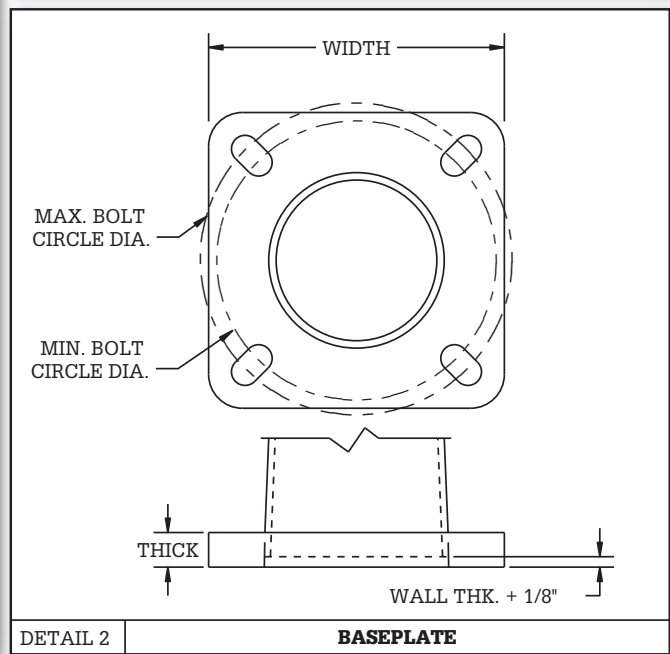
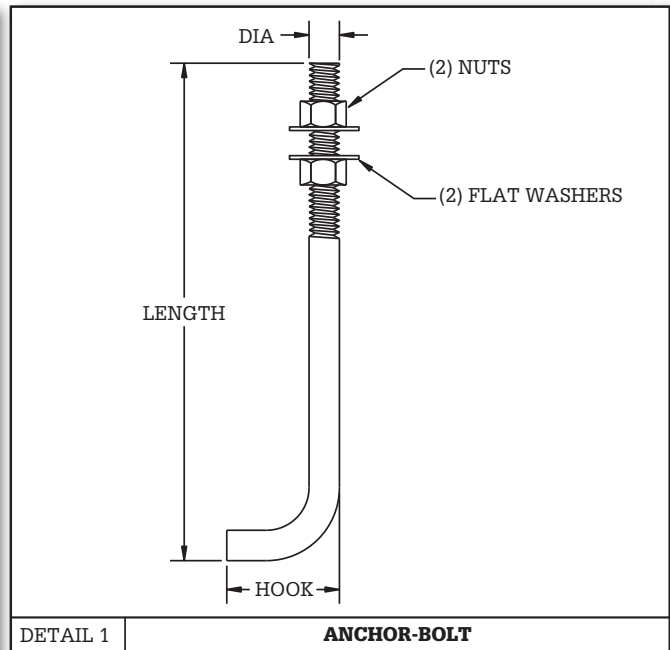
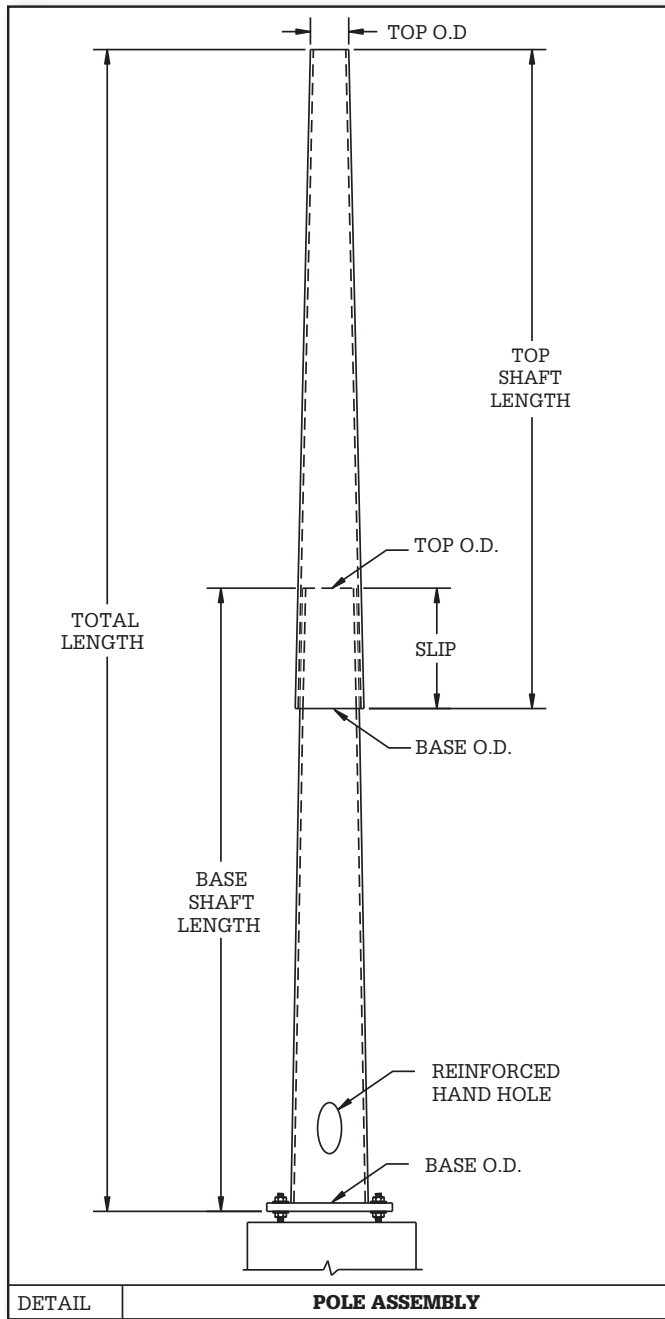


# Round Tapered (Anchor Base)



Note: Only 60' and 70' designs require two shaft sections.  
Refer to Structure Data for specific design information.



MAVERICK POLES AND STRUCTURE, LLC  
PO BOX 122796  
FORT WORTH, TX 76121  
PHONE 817-441-9688  
WWW.MAVERICKPOLES.COM

## Round Tapered (Anchor Base)

STRUCTURE DATA											
Catalog Number	Gross Weight (Lbs)	Pole Shaft Data					Base Plate Data			Anchor Bolt Data	
		Section	Base O.D. (in)	Top O.D. (in)	Wall Thk. (in)	Shaft Length (ft)	Bolt Circle Range (in)	Plate Width (in)	Plate Thk. (in)	Dia x Lgth x Hk	Anchor Bolt Template Number
RTSP-20-52-E2-AB	116	Base	5.2	2.4	0.1196	20	8.0 to 9.0	9.00	0.75	0.75 x 30 x 3	ABT-850-4
RTSP-20-63-E2-AB	157	Base	6.3	3.5	0.1196	20	9.5 to 10.5	10.50	1.00	1 x 36 x 4	ABT-900-4
RTSP-25-59-E2-AB	156	Base	5.9	2.4	0.1196	25	8.5 to 9.5	9.50	0.75	0.75 x 30 x 3	ABT-950-4
RTSP-25-70-E2-AB	204	Base	7.0	3.5	0.1196	25	10 to 11	11.00	1.00	1 x 36 x 4	ABT-105-4
RTSP-30-66-E2-AB	207	Base	6.6	2.4	0.1196	30	9.5 to 10.5	10.50	1.00	1 x 36 x 4	ABT-100-4
RTSP-30-77-E2-AB	259	Base	7.7	3.5	0.1196	30	11 to 12	12.00	1.00	1 x 36 x 4	ABT-115-4
RTSP-35-73-E2-AB	260	Base	7.3	2.4	0.1196	35	10.5 to 11.5	11.50	1.00	1 x 36 x 4	ABT-110-4
RTSP-35-84-E2-AB	316	Base	8.4	3.5	0.1196	35	11.5 to 12.5	12.50	1.00	1 x 36 x 4	ABT-120-4
RTSP-35-73-V1-AB	381	Base	7.3	2.4	0.1875	35	11 to 12	12.00	1.00	1.25 x 42 x 6	ABT-115-4
RTSP-35-90-V1-AB	527	Base	9.0	4.1	0.1875	35	12.5 to 13.5	13.50	1.25	1.25 x 42 x 6	ABT-130-4
RTSP-40-80-E2-AB	310	Base	8.0	2.4	0.1196	39	11 to 12	12.00	1.00	1 x 36 x 4	ABT-115-4
RTSP-40-90-E2-AB	371	Base	9.0	3.5	0.1196	39	12 to 13	13.00	1.00	1 x 36 x 4	ABT-125-4
RTSP-40-80-V1-AB	461	Base	8.0	2.4	0.1875	39	11 to 12	12.00	1.25	1.25 x 42 x 6	ABT-115-4
RTSP-40-90-V1-AB	554	Base	9.0	3.5	0.1875	39	12.5 to 13.5	13.50	1.25	1.25 x 42 x 6	ABT-130-4
RTSP-40-10-V1-AB	643	Base	10.0	4.5	0.1875	39	13.5 to 14.5	14.50	1.25	1.50 x 54 x 6	ABT-140-4



MAVERICK POLES AND STRUCTURE, LLC  
 PO BOX 122796  
 FORT WORTH, TX 76121  
 PHONE 817-441-9688  
 WWW.MAVERICKPOLES.COM

STRUCTURE LOADING CAPACITIES									
Catalog Number	Maximum Loading								
	90 mph		100 mph		110 mph		120 mph		
	EPA (ft²)	Wt. (lbs)	EPA (ft²)	Wt. (lbs)	EPA (ft²)	Wt. (lbs)	EPA (ft²)	Wt. (lbs)	
RTSP-20-52-E2-AB	13.5	338	10.5	263	8.5	213	7	175	
RTSP-20-63-E2-AB	21.5	538	17.5	438	14.5	363	12.0	300	
RTSP-25-59-E2-AB	12.0	300	9.5	238	7.5	188	6.0	150	
RTSP-25-70-E2-AB	19.0	475	15.5	388	12.5	313	10.5	263	
RTSP-30-66-E2-AB	11.0	275	8.5	213	7.0	175	6.0	150	
RTSP-30-77-E2-AB	17.5	438	14.0	350	11.5	288	9.5	238	
RTSP-35-73-E2-AB	10.5	263	8.5	213	6.5	163	5.5	138	
RTSP-35-84-E2-AB	16.5	413	13.5	338	11.0	275	9.0	225	
RTSP-35-73-V1-AB	20.0	500	16.5	413	13.5	338	11.5	288	
RTSP-35-90-V1-AB	37.5	938	30.5	763	25.0	625	20.5	513	
RTSP-40-80-E2-AB	10.0	250	8.0	200	6.5	163	5.5	138	
RTSP-40-90-E2-AB	16.0	400	13.0	325	10.5	263	8.5	213	
RTSP-40-80-V1-AB	19.0	475	16.0	400	13.0	325	11.0	275	
RTSP-40-90-V1-AB	30.0	750	24.5	613	20.0	500	16.5	413	
RTSP-40-10-V1-AB	43.0	1075	35.0	875	28.5	713	23.5	588	



MAVERICK POLES AND STRUCTURE, LLC  
 PO BOX 122796  
 FORT WORTH, TX 76121  
 PHONE 817-441-9688  
 WWW.MAVERICKPOLES.COM

## Round Tapered (Anchor Base)

FOUNDATIONS (RTSP-AB)								
Catalog Number	Foundation Data						Anchor Bolt Data	
	Caisson Diameter (in)	Caisson Depth (ft)	Vert Rebar Qty	Vert Rebar Size	Concrete Volume (Cu Yds)	Steel Weight (lbs)	Dia x Lgth x Hk	Bolt Circle Range (in)
RTSP-20-52-E2-AB	24	5.00	8	#5	0.58	59	0.75 x 30 x 3	8.0 to 9.0
RTSP-20-63-E2-AB	24	5.00	8	#5	0.58	59	1.00 x 36 x 4	9.5 to 10.5
RTSP-25-59-E2-AB	24	5.00	8	#5	0.58	59	0.75 x 30 x 3	8.5 to 9.5
RTSP-25-70-E2-AB	24	5.00	8	#5	0.58	59	1.00 x 36 x 4	10 to 11
RTSP-30-66-E2-AB	24	5.00	8	#5	0.58	59	1.00 x 36 x 4	9.5 to 10.5
RTSP-30-77-E2-AB	24	5.00	8	#5	0.58	59	1.00 x 36 x 4	11 to 12
RTSP-35-73-E2-AB	24	6.00	8	#6	0.70	91	1.00 x 36 x 4	10.5 to 11.5
RTSP-35-84-E2-AB	24	6.00	8	#6	0.70	91	1.00 x 36 x 4	11.5 to 12.5
RTSP-35-73-V1-AB	30	6.00	8	#6	1.09	98	1.25 x 42 x 6	11 to 12
RTSP-35-90-V1-AB	30	6.00	8	#6	1.09	98	1.25 x 42 x 6	12.5 to 13.5
RTSP-40-80-E2-AB	30	7.00	8	#6	1.27	115	1.00 x 36 x 4	11 to 12
RTSP-40-90-E2-AB	30	7.00	8	#6	1.27	115	1.00 x 36 x 4	12 to 13
RTSP-40-80-V1-AB	30	7.00	8	#6	1.27	115	1.25 x 42 x 6	11 to 12
RTSP-40-90-V1-AB	30	7.00	8	#6	1.27	115	1.25 x 42 x 6	12.5 to 13.5
RTSP-40-10-V1-AB	30	7.00	8	#6	1.27	115	1.50 x 54 x 6	13.5 to 14.5

- Notes:
1. The above information is for estimating purposes only. Do not use for construction.
  2. Analysis is based upon Brom's method of foundation design.
  3. All of the designs are based upon the following soil parameters:
    - a. Soil is homogeneous, non-cohesive
    - b.  $\phi = 30$  degrees
    - c.  $\gamma = 110$  pcf.
    - d. Water table is below bottom of foundation.
    - e. Site grade is 7H:1V or flatter.
  4. Concrete 28 day compressive strength = 3000 psi.
  5. Concrete design is in accordance with ACI 318-95.
  6. Concrete is cast against undisturbed soil.

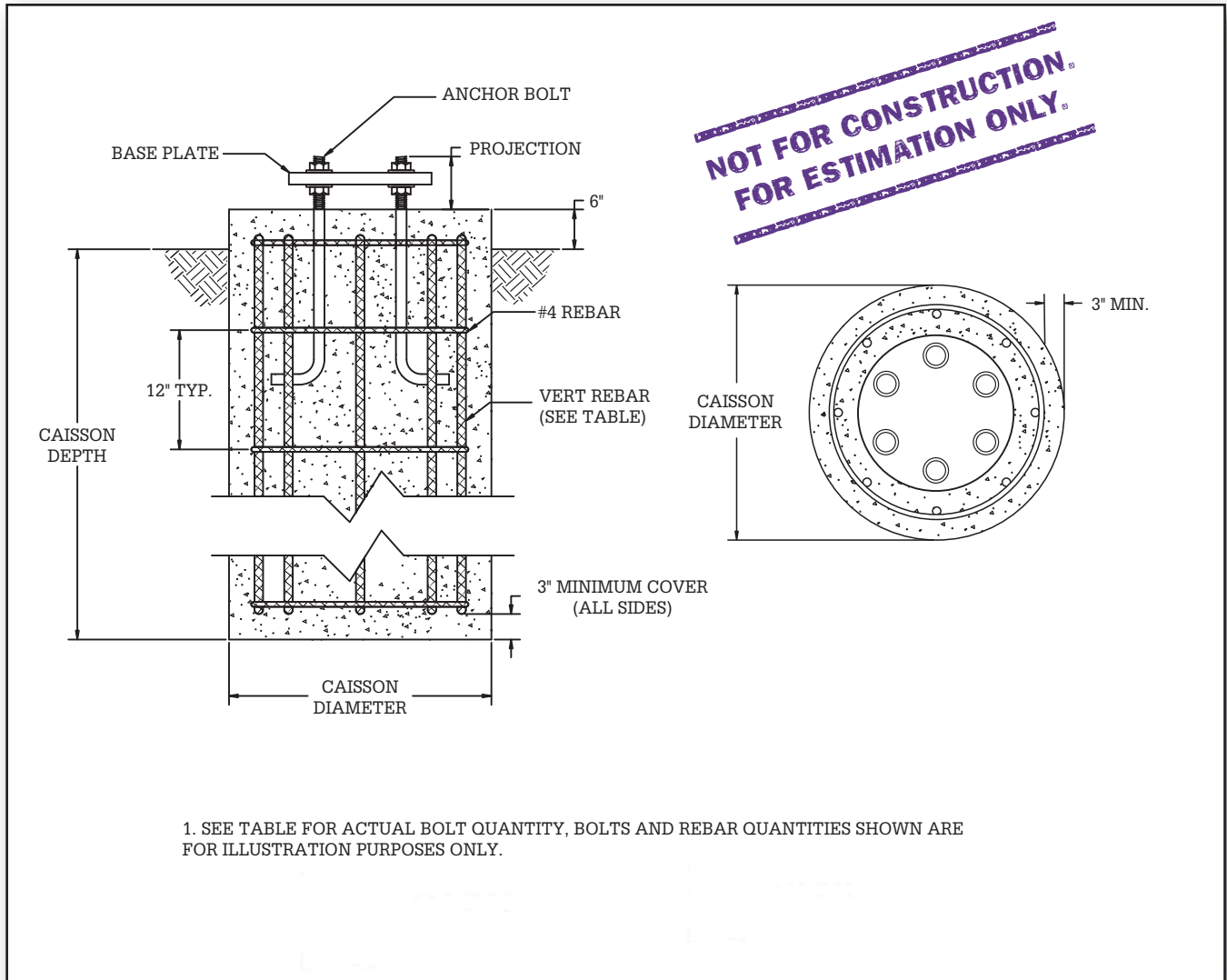
**NOT FOR CONSTRUCTION  
FOR ESTIMATION ONLY.**

The information above is provided for preliminary estimating use only and may not be used as final or construction designs.



MAVERICK POLES AND STRUCTURE, LLC  
 PO BOX 122796  
 FORT WORTH, TX 76121  
 PHONE 817-441-9688  
 WWW.MAVERICKPOLES.COM

## Round Tapered (Anchor Base)



The information above is provided for preliminary estimating use only and may not be used as final or construction designs.



MAVERICK POLES AND STRUCTURE, LLC  
 PO BOX 122796  
 FORT WORTH, TX 76121  
 PHONE 817-441-9688  
 WWW.MAVERICKPOLES.COM