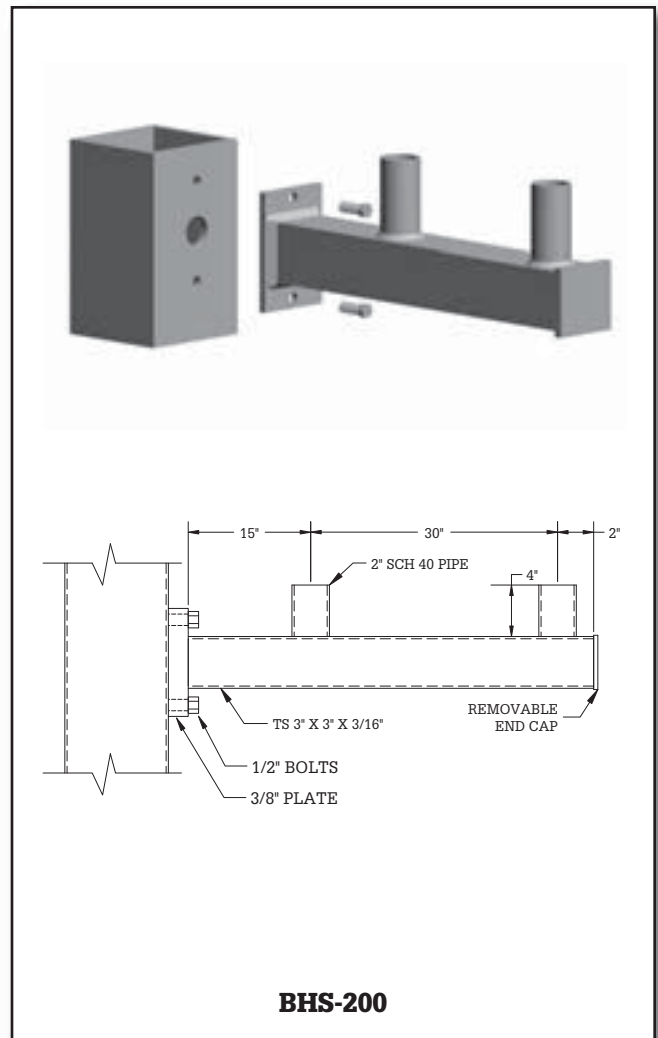
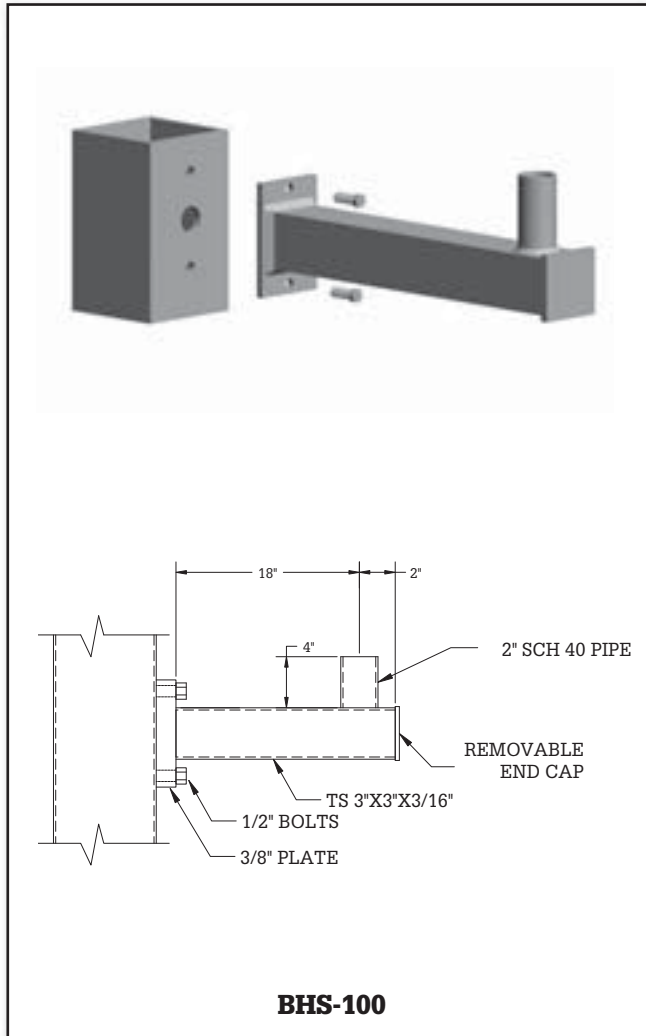


## Square Side-Mount Bullhorn Brackets



### Square Side-Mount Bullhorn Brackets

Catalog Number	No. Fix	EPA (ft <sup>2</sup> )	Weight (lbs)
BHS-100	1	0.78	14
BHS-200	2	1.90	30



*...we're more than just sports!*

2001 Beach St. • Suite 800 • Fort Worth, TX 76103  
 1-800-433-7753 • Fax 817-926-5003  
[www.americansportslighting.com](http://www.americansportslighting.com)