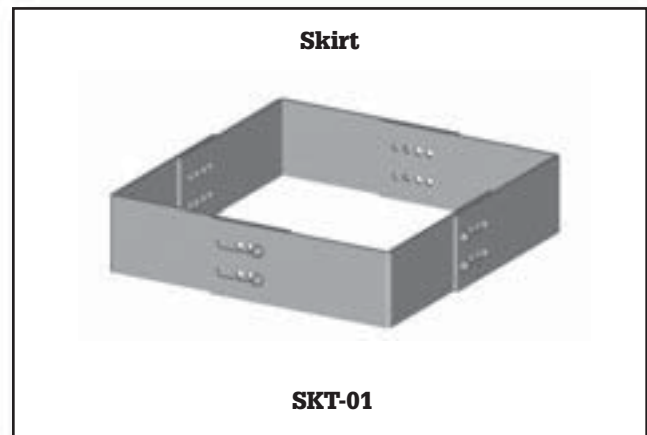
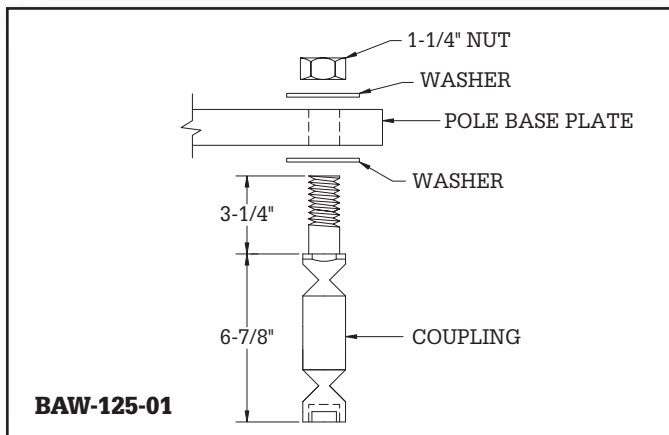
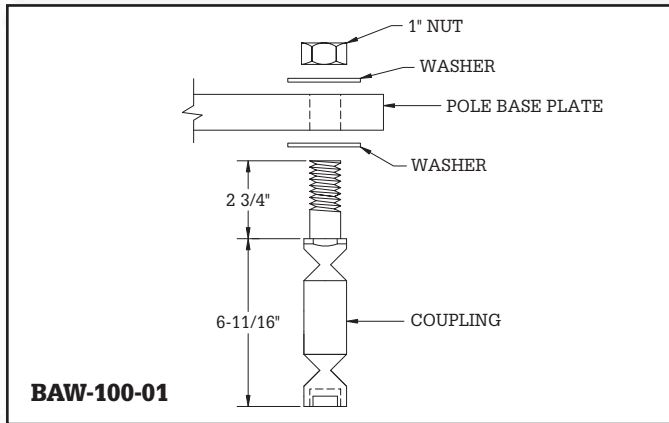
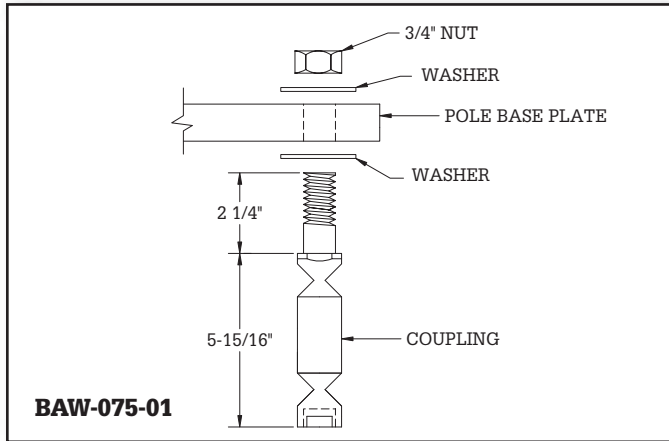


Break-away Couplings



Notes:

BAW couplings conform to AASHTO "Standard Specifications for Structural Supports for Highway Signs, Luminaires and Traffic Signals."

BAW couplings, nuts, bolts, washers and shims are galvanized in accordance with ASTM A153.

Break-away Couplings

| Catalog Number | Ten. Yield Strength (kips) | Ult. Shear Strength (kips) |
|----------------|----------------------------|----------------------------|
| BAW-075-01 | 25.5 | 2.0 |
| BAW-100-01 | 43.2 | 5.5 |
| BAW-125-01 | 43.2 | 5.5 |