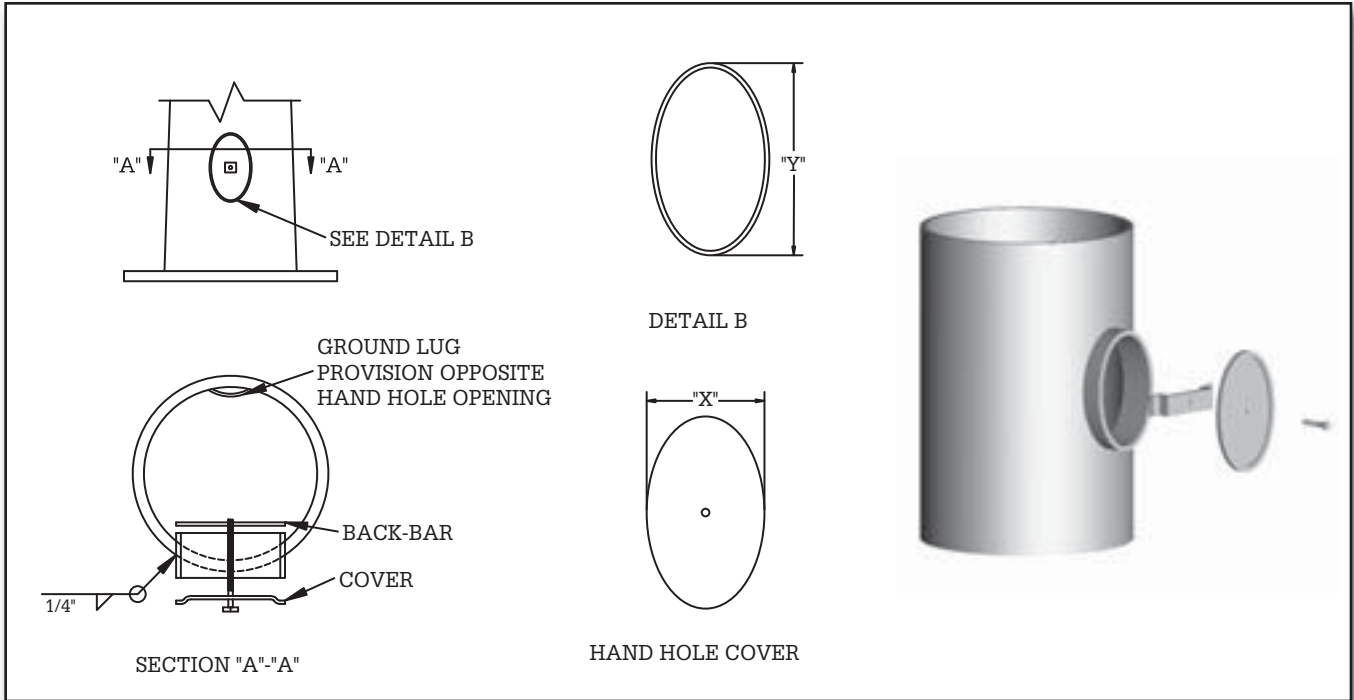


# Hand Holes



## Standard Hand Holes

Catalog Number	"X" Dim	"Y" Dim
HH-0305-RD	3.0	5.0
HH-0465-RD	4.0	6.5
HH-0508-RD	5.0	8.0



*...we're more than just sports!*

2001 Beach St. • Suite 800 • Fort Worth, TX 76103  
 1-800-433-7753 • Fax 817-926-5003  
[www.americansportslighting.com](http://www.americansportslighting.com)