



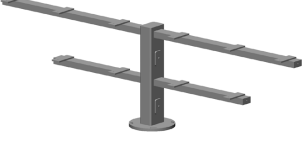
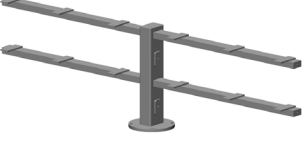

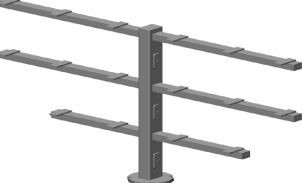
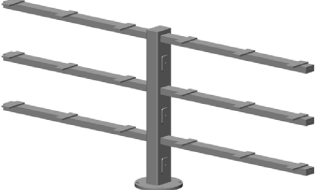




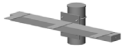
SPORTS SYSTEM CROSARM INDEX

	CRA-TT-02	TOP MOUNT TUBULAR-2 CAPACITY
	CRA-TT-04	TOP MOUNT TUBULAR-4 CAPACITY
	CRA-TT-06	TOP MOUNT TUBULAR-6 CAPACITY
	CRA-TT-08	TOP MOUNT TUBULAR-8 CAPACITY
	CRA-TT-10	TOP MOUNT TUBULAR-10 CAPACITY
	CRA-TT-12	TOP MOUNT TUBULAR-12 CAPACITY
	CRA-TT-14	TOP MOUNT TUBULAR-14 CAPACITY
	CRA-TT-16	TOP MOUNT TUBULAR-16 CAPACITY
	CRA-TT-18	TOP MOUNT TUBULAR-18 CAPACITY

SPORTS SYSTEM CROSARM INDEX



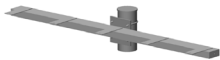
CRA-ST-02 SIDE MOUNT TUBULAR-2 CAPACITY



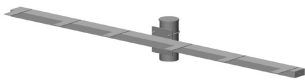
CRA-ST-03 SIDE MOUNT TUBULAR-3 CAPACITY



CRA-ST-04 SIDE MOUNT TUBULAR-4 CAPACITY



CRA-ST-05 SIDE MOUNT TUBULAR-5 CAPACITY



CRA-ST-06 SIDE MOUNT TUBULAR-6 CAPACITY



CRA-SA-02 SIDE MOUNT ANGULAR-2 CAPACITY



CRA-SA-03 SIDE MOUNT ANGULAR-3 CAPACITY



CRA-SA-04 SIDE MOUNT ANGULAR-4 CAPACITY



CRA-SA-05 SIDE MOUNT ANGULAR-5 CAPACITY



CRA-SA-06 SIDE MOUNT ANGULAR-6 CAPACITY



PO BOX 122796
FORT WORTH, TX. 76121
PHONE 817-441-9688
FAX 817-926-5003
WWW.MAVERICKPOLES.COM