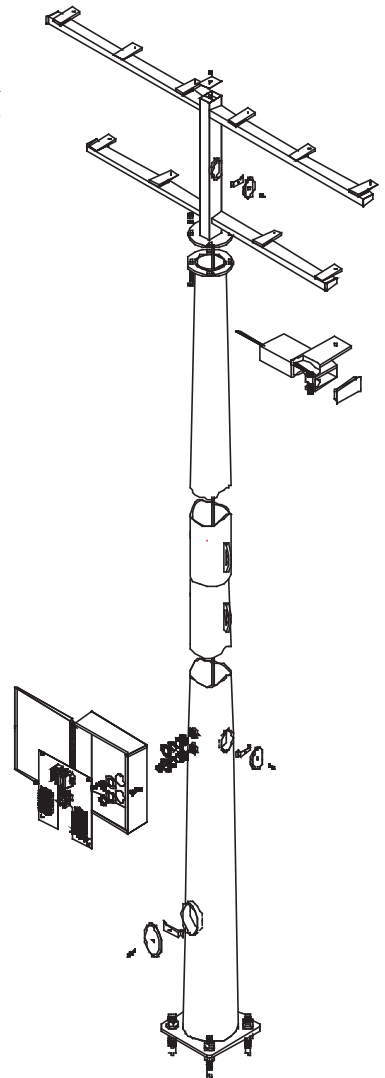




**ES1 SYSTEM**  
 Factory Pre-Wired  
 Disconnect and Distribution Box  
 at Pole Base



**SPECIFICATION FEATURES**

- Bottom-mounted Disconnect/Distribution Box
- Individually fused for each fixture
- Factory Pre-wired
- Multi-circuit systems available
- Configured for any voltage & phase
- Standard components include cages and cross arms
- Designed to withstand any wind velocity
- Pole heights can extend to more than 100 feet
- Finishes include galvanizing and powder paint

Refer to individual Platform and Cross Arm specification sheets for availability and ordering information.



System ES1



Top Connection



Junction Box Mounting

ES-14020

ES SYSTEM PRE-WIRED POLE SYSTEM



Female Receptacle

### 3-Pin Female Receptacle

- Widely-accepted universal component in the fixture industry.
- Mating 3-pin male connector factory-installed in cage of crossarm.
- Receptacle leads are hardwired to power/drop cord.



Power/Drop Cord

### Power/Drop Cord

- Factory installed/wired to each 3-pin female receptacle.
- Cut to the proper length for the pole structure.
- Quick-connect plug mates with corresponding plug in distribution box.



Junction Box

### Distribution and Disconnect Junction Box

- Completely pre-wired at the factory.
- Multi-pin coordinator is hardwired to fuse block to accept mating drop cord.
- Individual dual fusing provided for each fixture.
- Factory installed disconnect switch.
- Mounting hardware provided for attachment to pole.