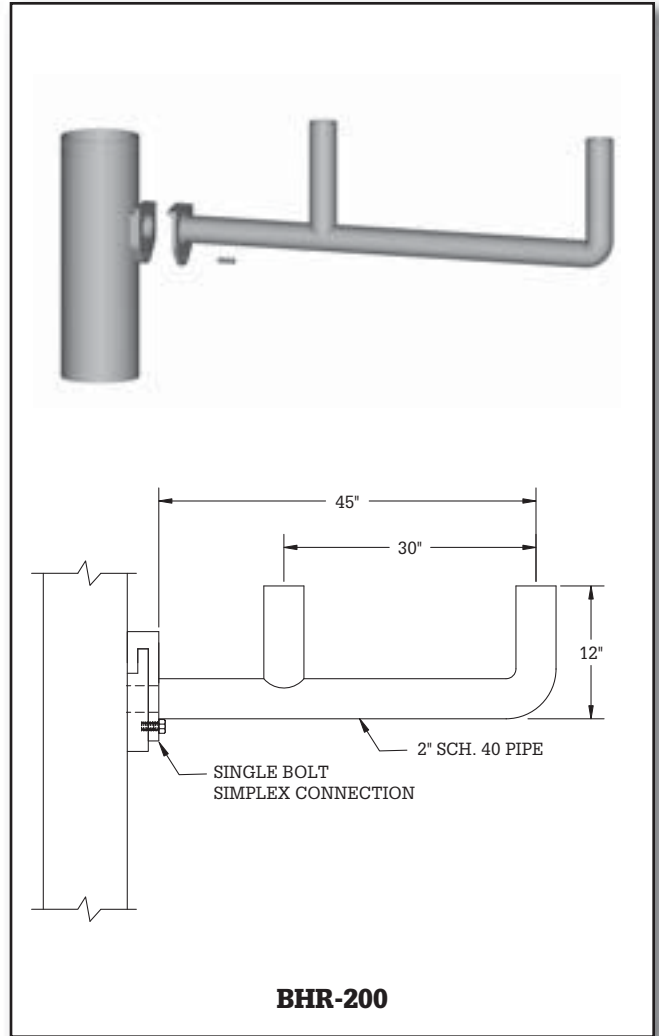
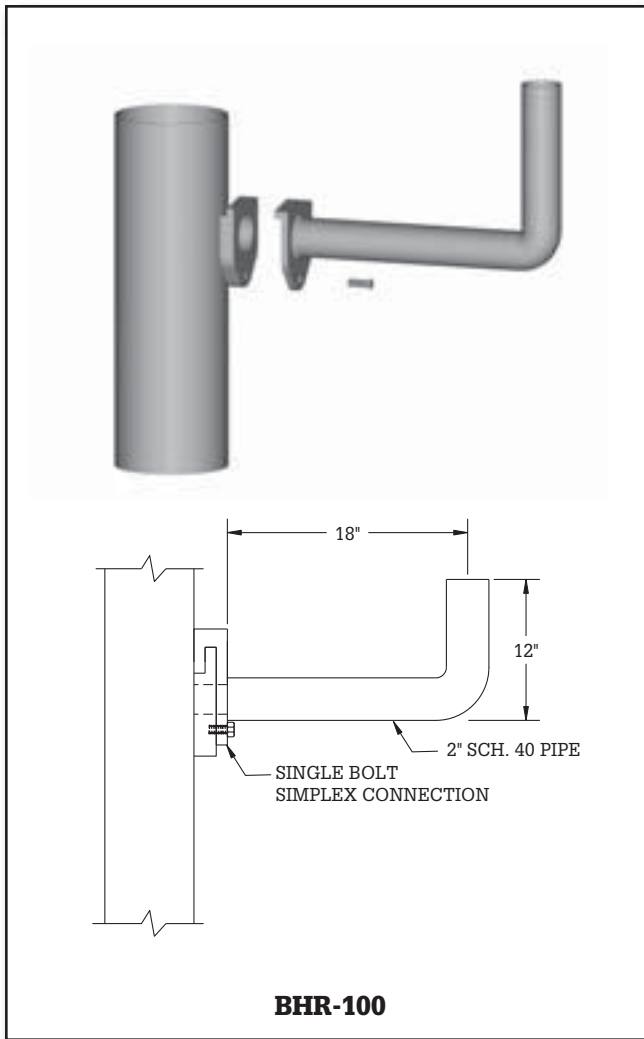




MAVERICK POLES AND STRUCTURE, LLC  
 FORT WORTH, TX  
 PHONE 817-441-9688  
 WWW.MAVERICKPOLES.COM

## Round Side-Mount Bullhorn Brackets



### Round Side-Mount Bullhorn Brackets

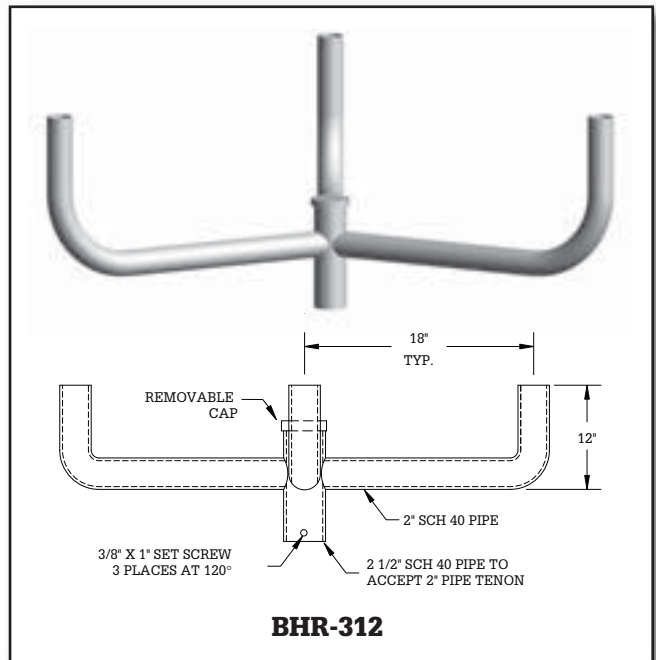
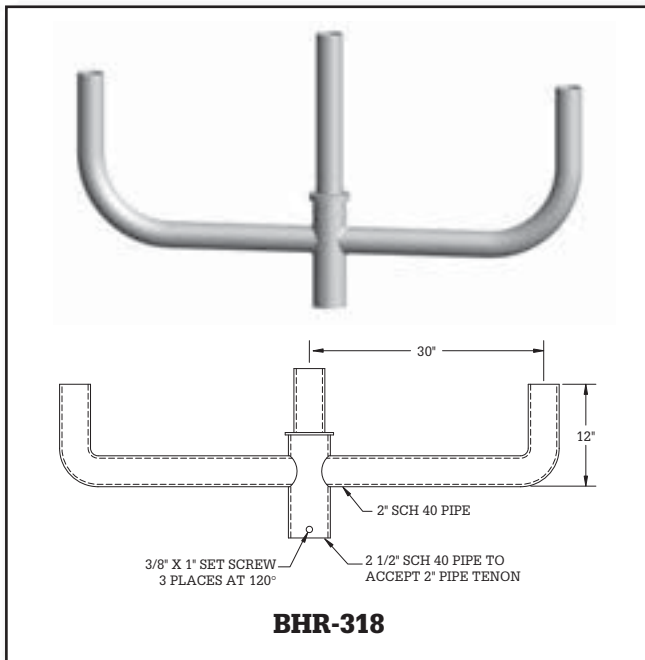
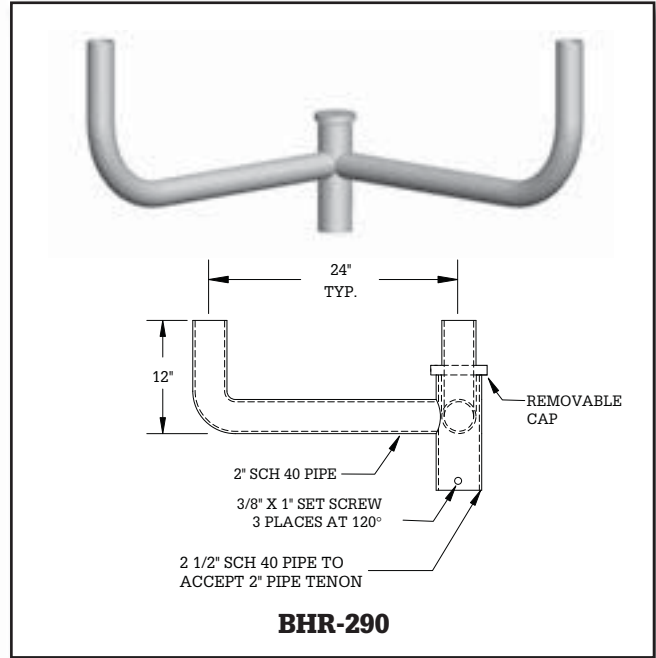
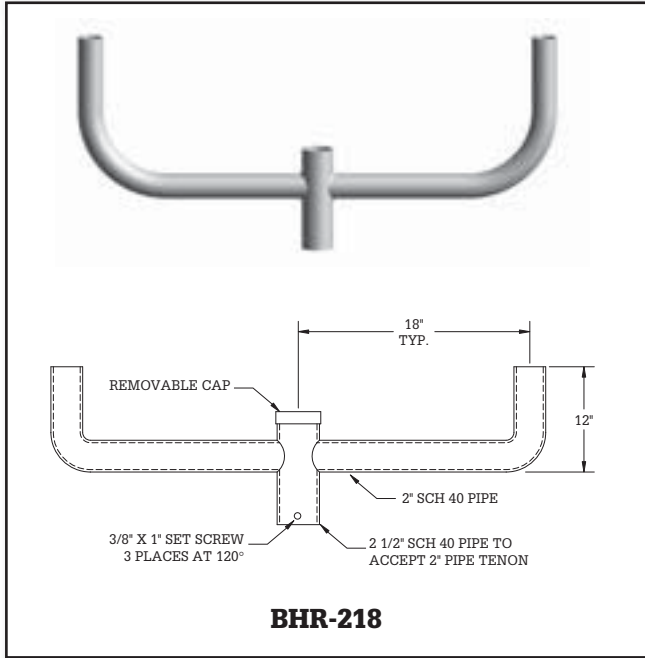
Catalog Number	No. Fix	EPA (ft <sup>2</sup> )	Weight (lbs)
BHR-100	1	0.54	11
BHR-200	2	1.25	22





MAVERICK POLES AND STRUCTURE, LLC  
 FORT WORTH, TX  
 PHONE 817-441-9688  
 WWW.MAVERICKPOLES.COM

## Round Top-Mount Bullhorn Brackets

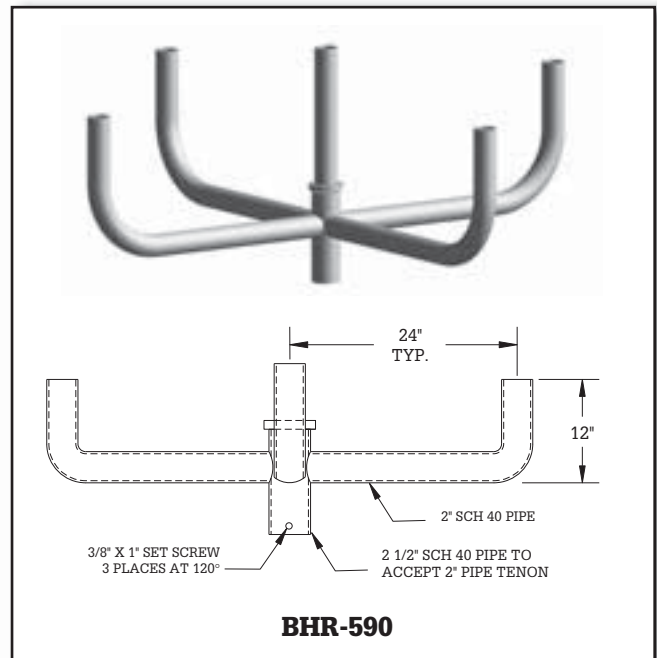
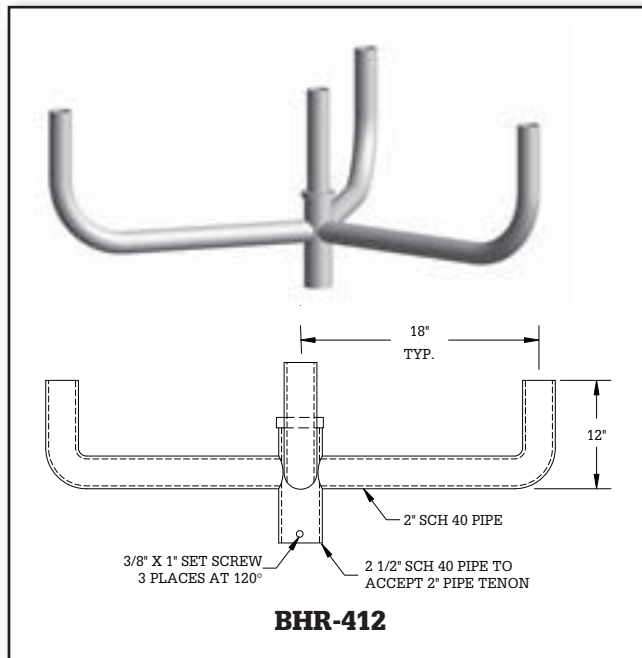
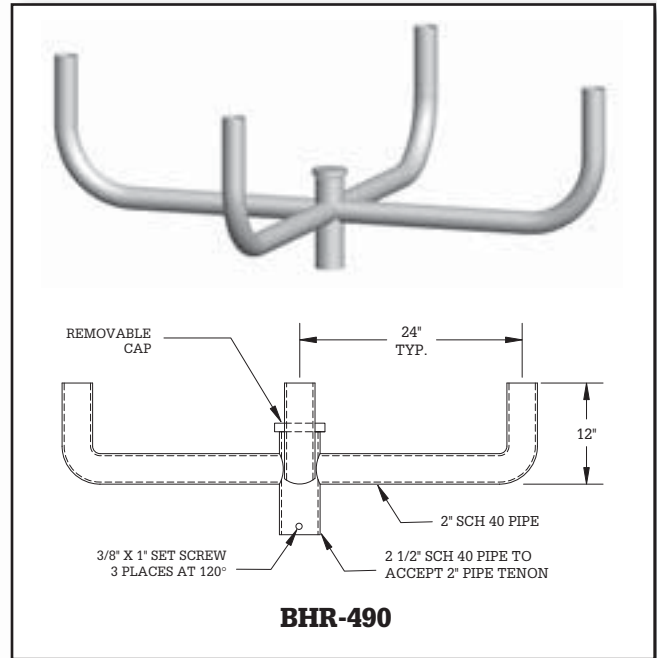
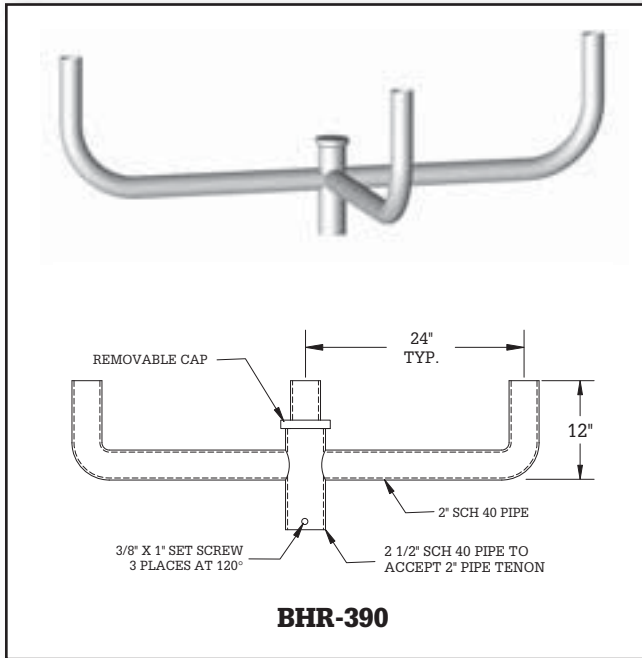


### Round Top-Mount Bullhorn Brackets

Catalog Number	No. Fix	EPA (ft <sup>2</sup> )	Weight (lbs)
BHR-218	2	1.350	24
BHR-290	2	1.315	28
BHR-318	3	2.000	35
BHR-312	3	1.480	33



## Round Top-Mount Bullhorn Brackets

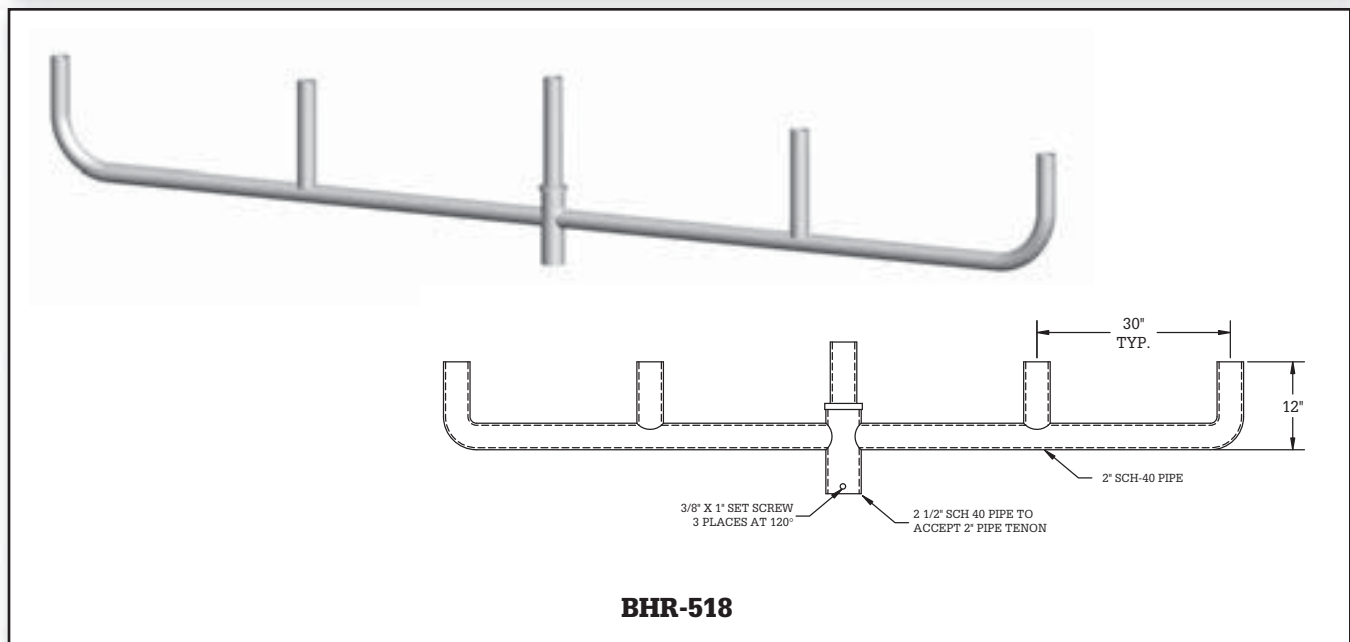
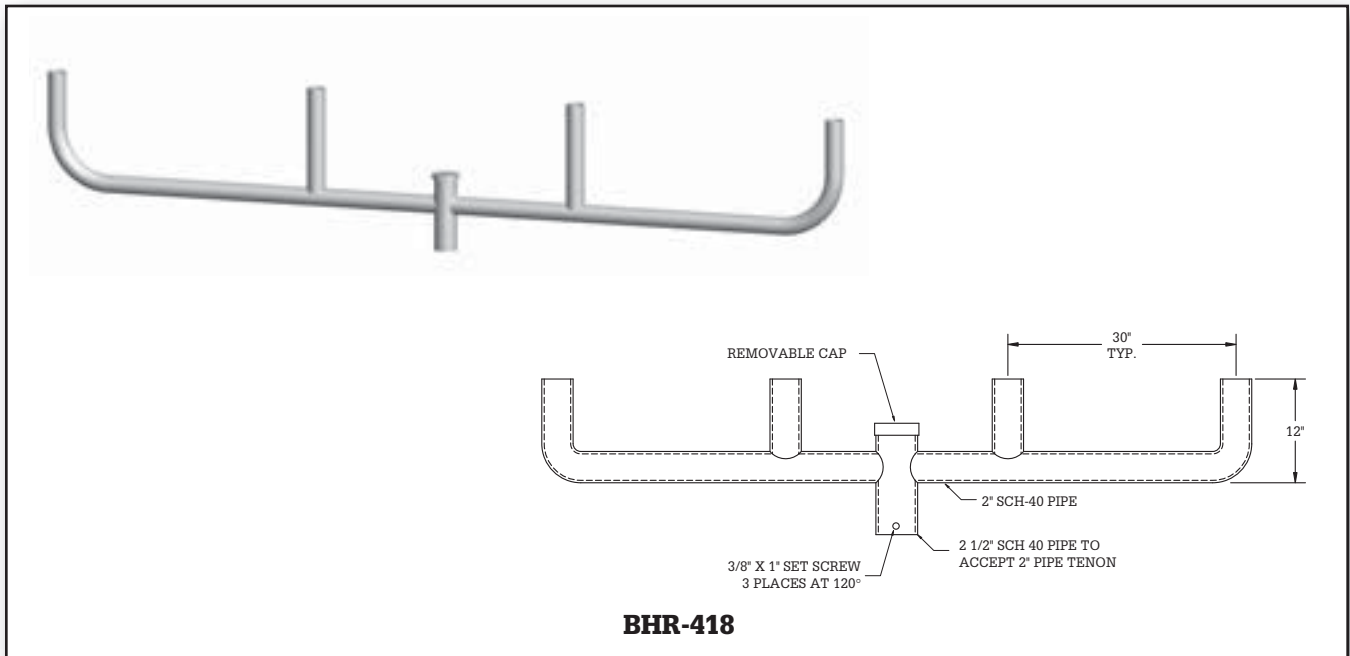


### Round Top-Mount Bullhorn Brackets

Catalog Number	No. Fix	EPA (ft <sup>2</sup> )	Weight (lbs)
BHR-390	3	1.79	39
BHR-490	4	1.79	50
BHR-412	4	1.48	36
BHR-590	5	1.79	54



## Round Top-Mount Bullhorn Brackets

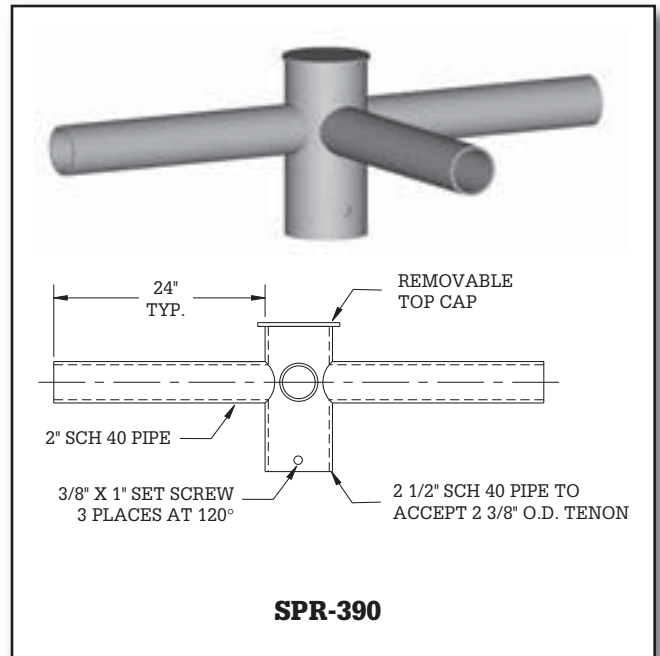
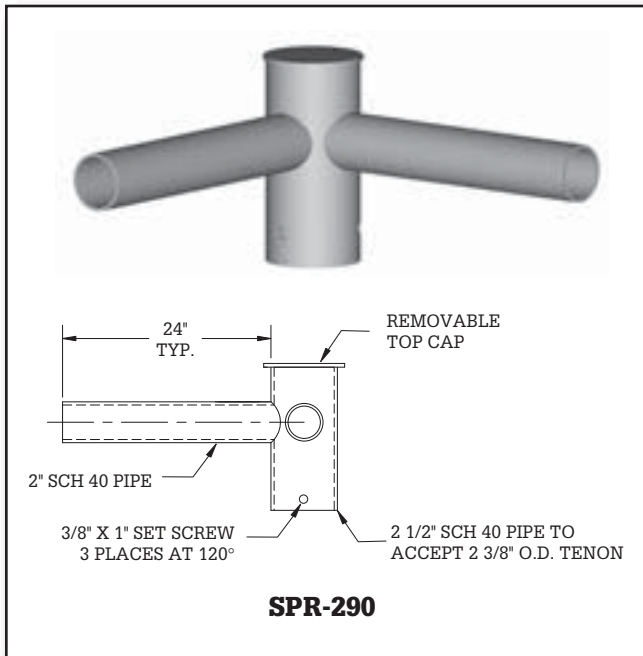
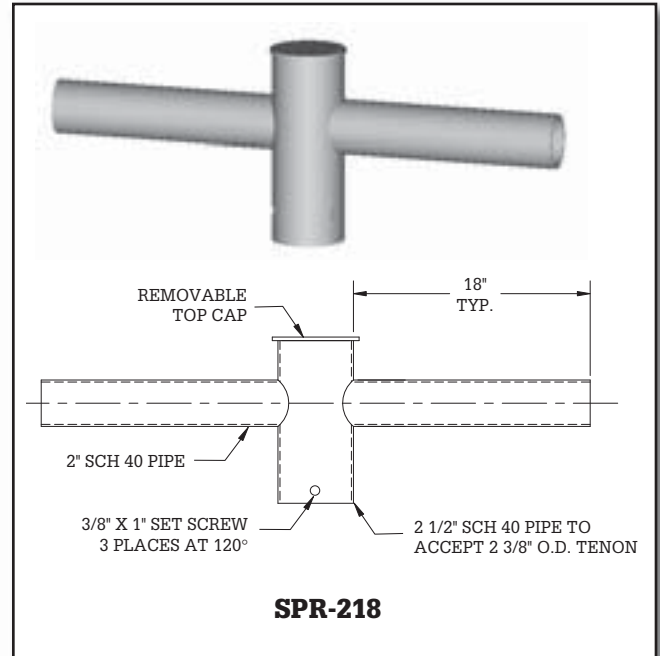
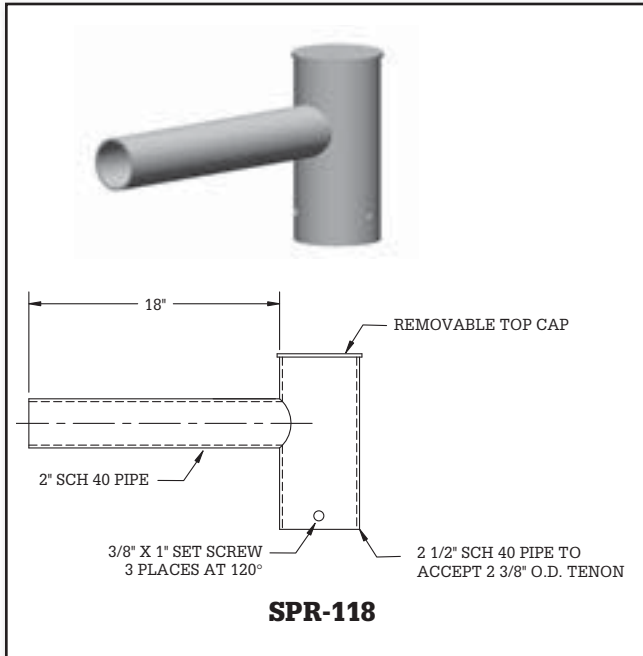


### Round Top-Mount Bullhorn Brackets

Catalog Number	No. Fix	EPA (ft <sup>2</sup> )	Weight (lbs)
BHR-418	4	2.54	48
BHR-518	5	3.53	61



## Round Top-Mount Spoke Arm Brackets

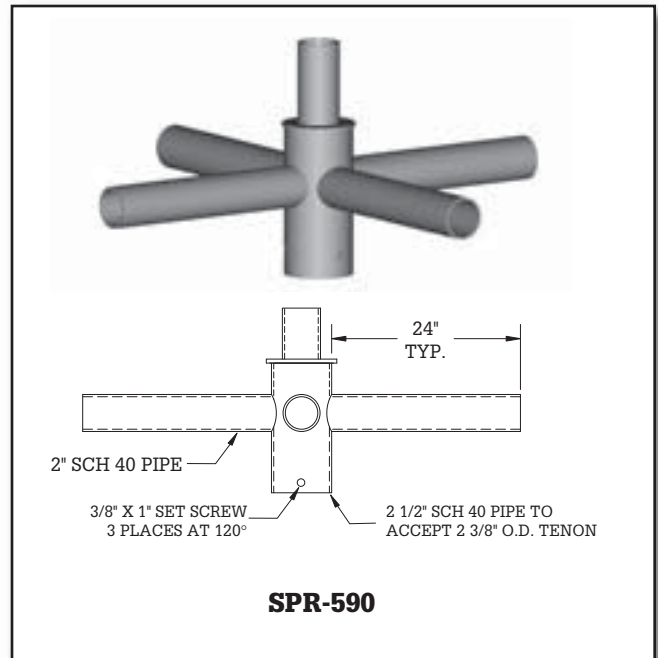
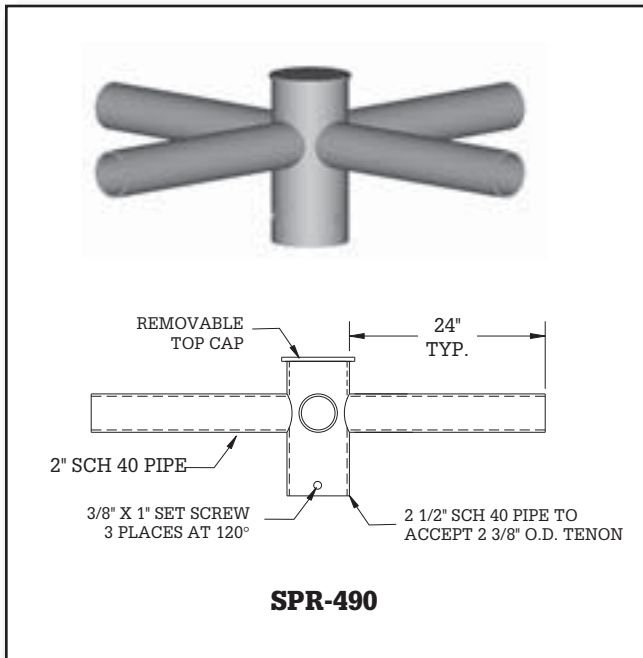
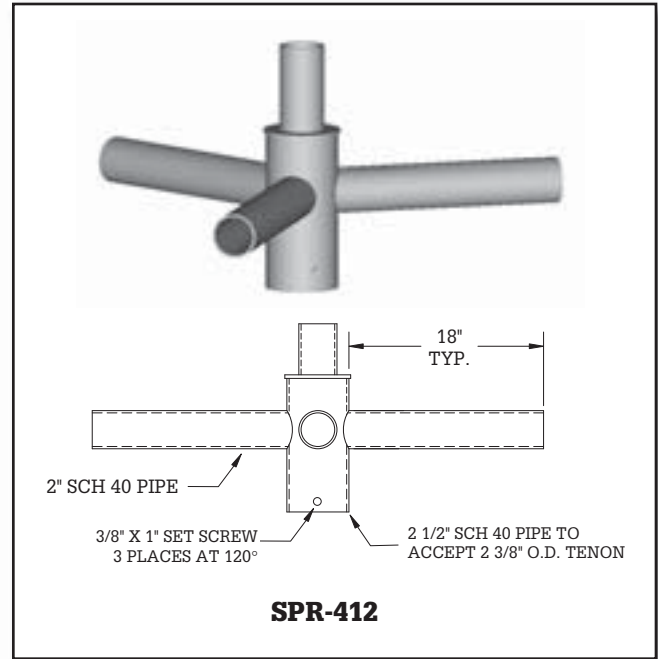
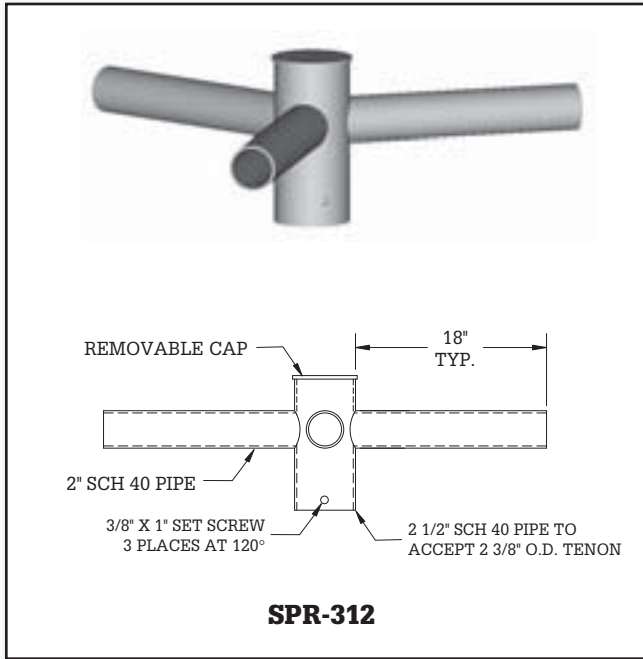


### Round Top-Mount Spoke Arm Brackets

Catalog Number	No. Fix	EPA (ft <sup>2</sup> )	Weight (lbs)
SPR-118	1	0.59	11
SPR-218	2	0.92	17
SPR-290	2	0.88	20
SPR-390	3	1.13	28



## Round Top-Mount Spoke Arm Brackets



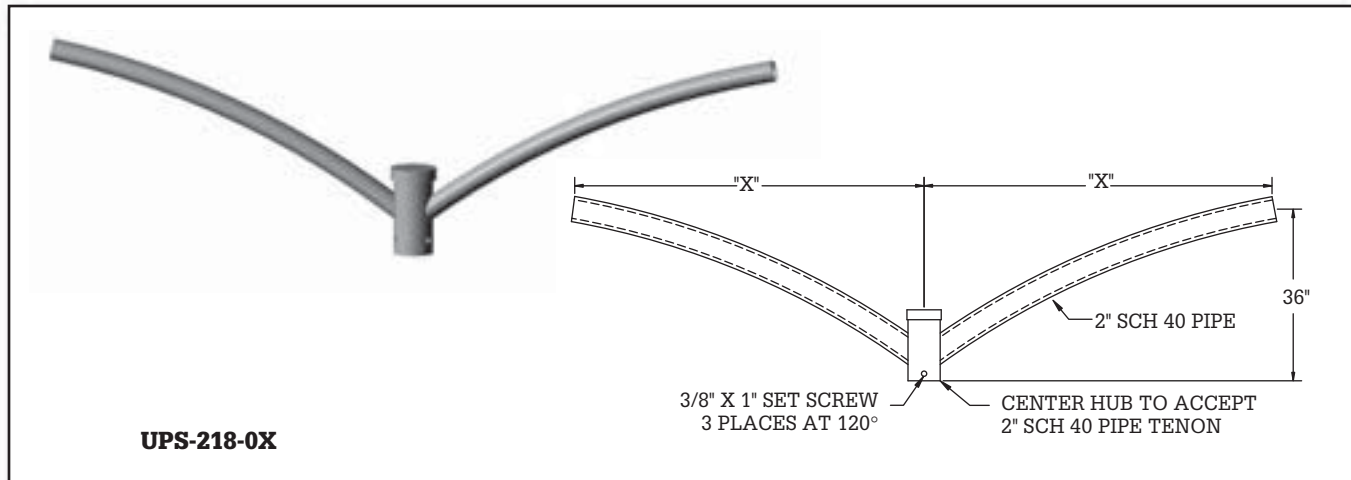
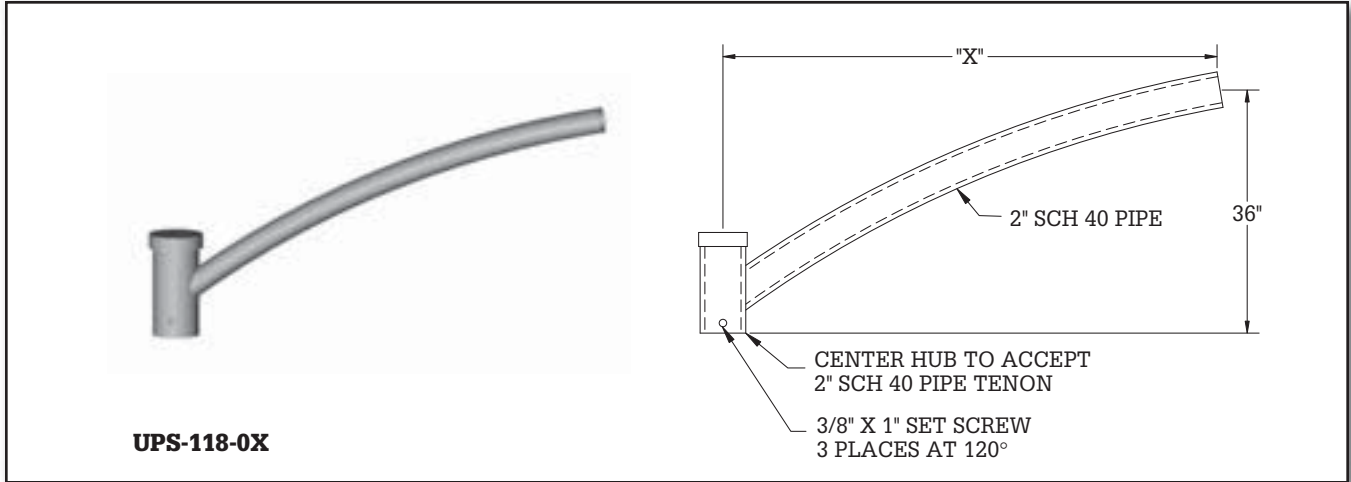
### Round Top-Mount Spoke Arm Brackets

Catalog Number	No. Fix	EPA (ft <sup>2</sup> )	Weight (lbs)
SPR-312	3	0.83	22
SPR-412	4	0.90	23
SPR-490	4	1.02	35
SPR-590	5	1.10	36



MAVERICK POLES AND STRUCTURE, LLC  
 FORT WORTH, TX  
 PHONE 817-441-9688  
 WWW.MAVERICKPOLES.COM

## Upswept Arms

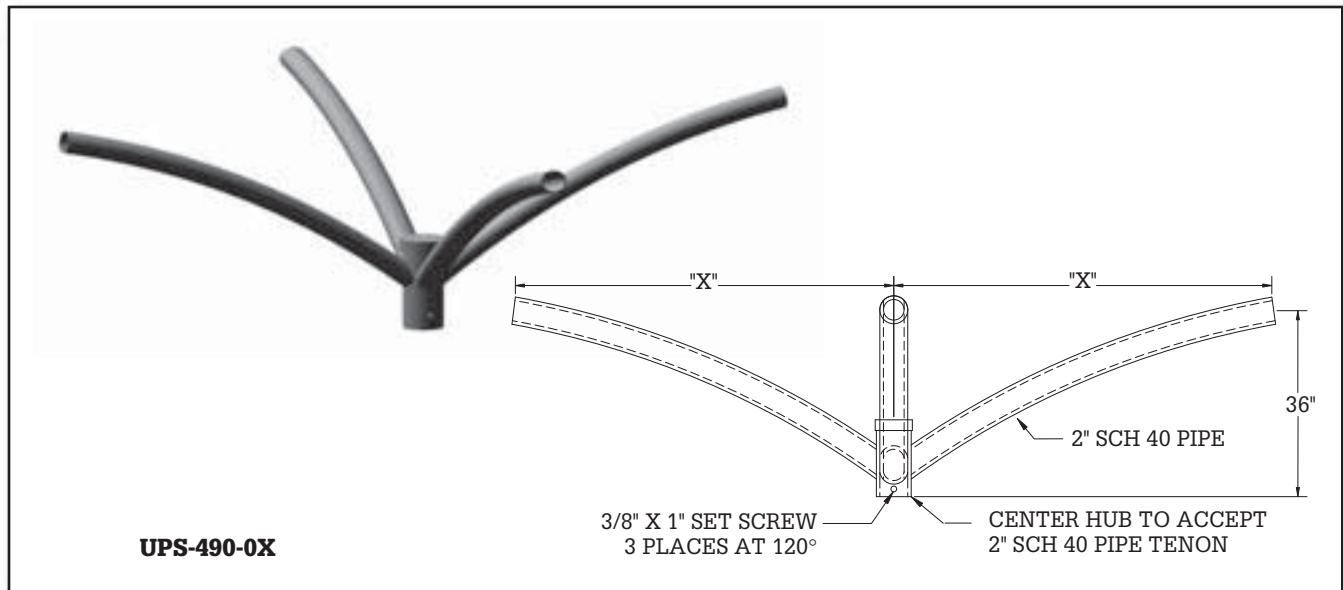
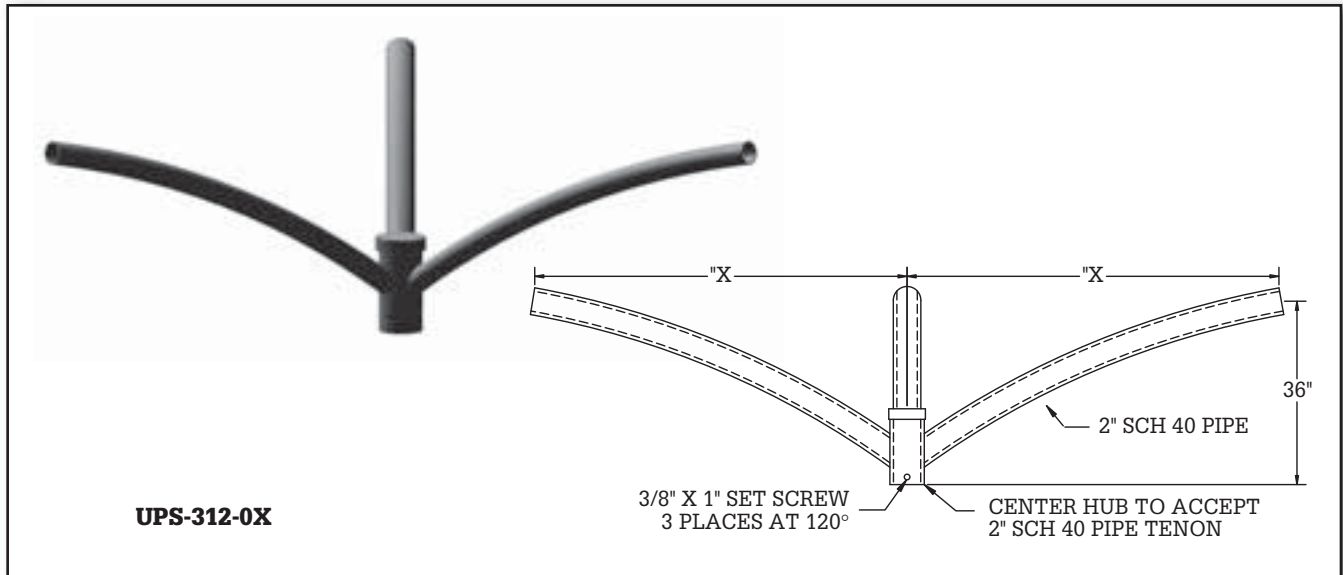


### Top-Mount Upswept Arms

Catalog Number	"X"(ft)	EPA (ft <sup>2</sup> )	Weight (lbs)
UPS-118-04	4	1.30	24
UPS-118-06	6	1.70	31
UPS-118-08	8	2.10	37
UPS-218-04	4	2.40	43
UPS-218-06	6	3.20	56
UPS-218-08	8	4.00	69
UPS-312-04	4	2.80	62
UPS-312-06	6	3.40	81
UPS-490-04	4	2.90	81

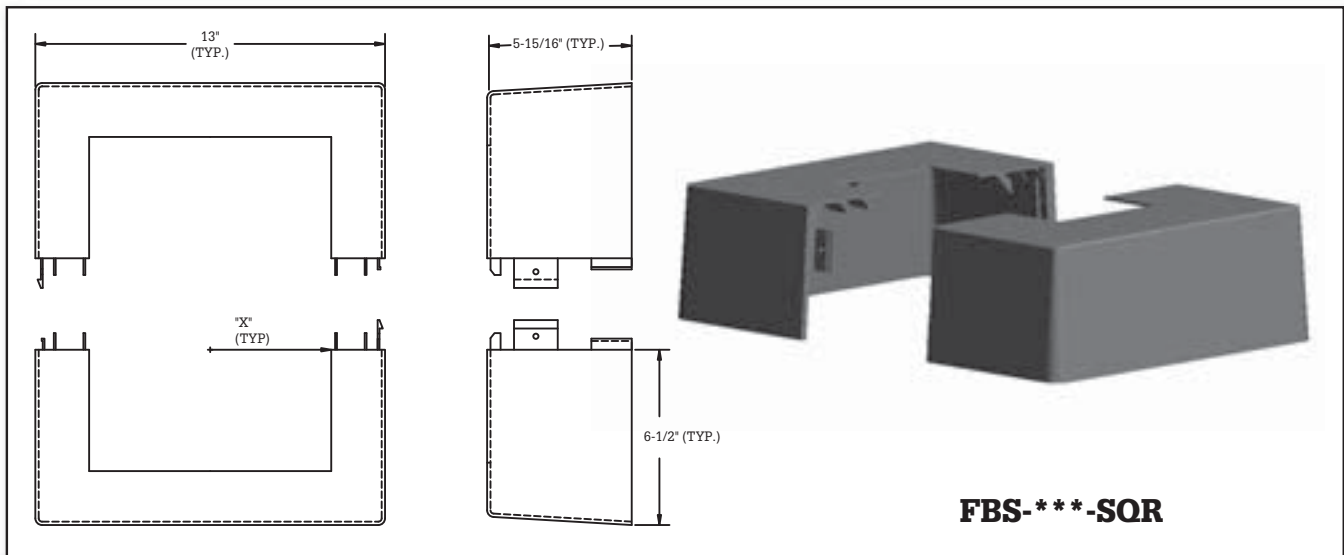
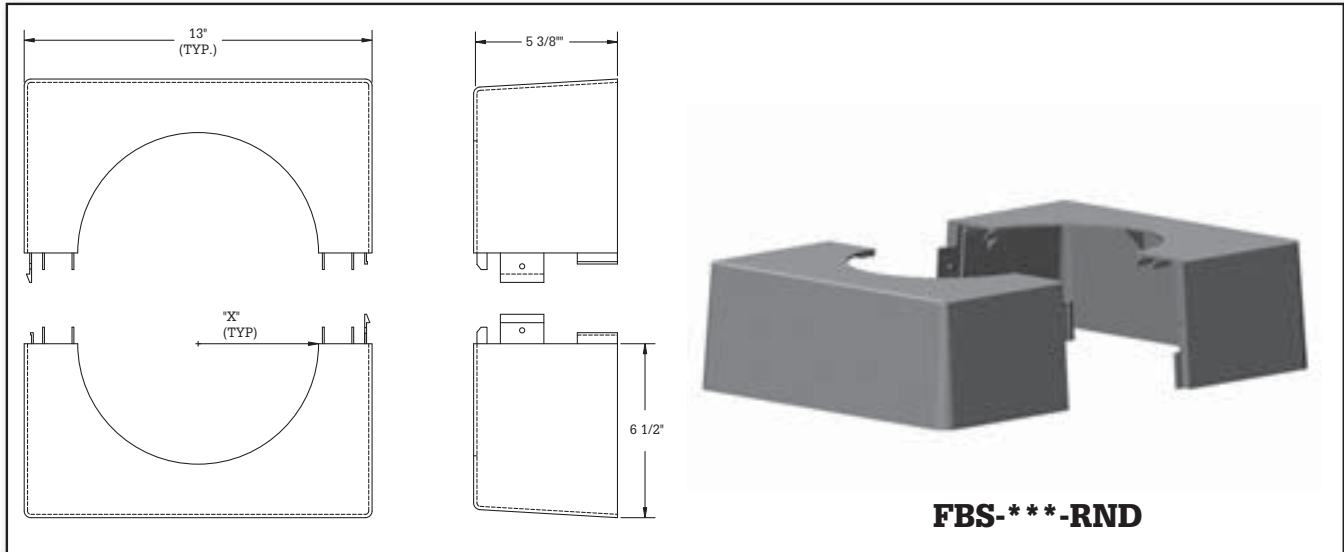


## Upswept Arms





**Base Covers** - HARD MOLDED PLASTIC



\* Insert appropriate size

**Full Base Covers**

Catalog Number	"X" (in)
FBS-600-RND	3.00
FBS-700-RND	3.50
FBS-800-RND	4.00
FBS-850-RND	4.25
FBS-900-RND	4.50
FBS-400-SQR	2.00
FBS-500-SQR	2.50
FBS-600-SQR	3.00
FBS-700-SQR	3.50
FBS-800-SQR	4.00



MAVERICK POLES AND STRUCTURE, LLC  
 PO BOX 122796  
 FORT WORTH, TX 76121  
 PHONE 817-441-9688  
 WWW.MAVERICKPOLES.COM